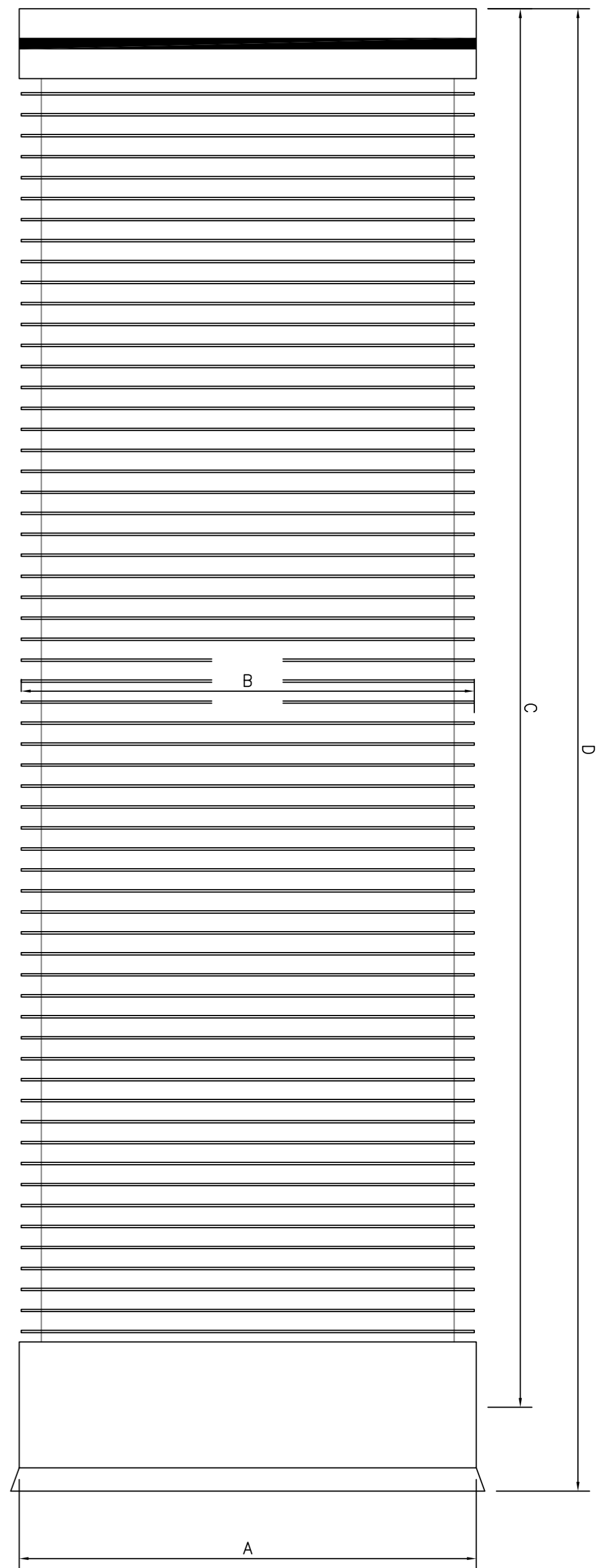


REV	DESCRIPTION	DATE	BY



PIPES:	
NOMINAL DIAMETER	900
PRODUCT CODE	P1093000
SOCKET OUTSIDE DIAMETER – A (mm)	991
PIPE OUTSIDE DIAMETER – B (mm)	940
EFFECTIVE LENGTH – C (mm)	3000
OVERALL LENGTH – D (mm)	3200
SPIGOT OUTSIDE DIAMETER – E (mm)	956
NOMINAL WEIGHT (kg)	154
No. OF PIPES PER FULL LOAD	20
METRES PER FULL LOAD	60

STUBS:	
NOMINAL DIAMETER	900
EFFECTIVE LENGTH (m)	1.50
PRODUCT CODE – PLAN END/SPIGOT	P1091501
PRODUCT CODE – PLAN END/SOCKET	P1091502

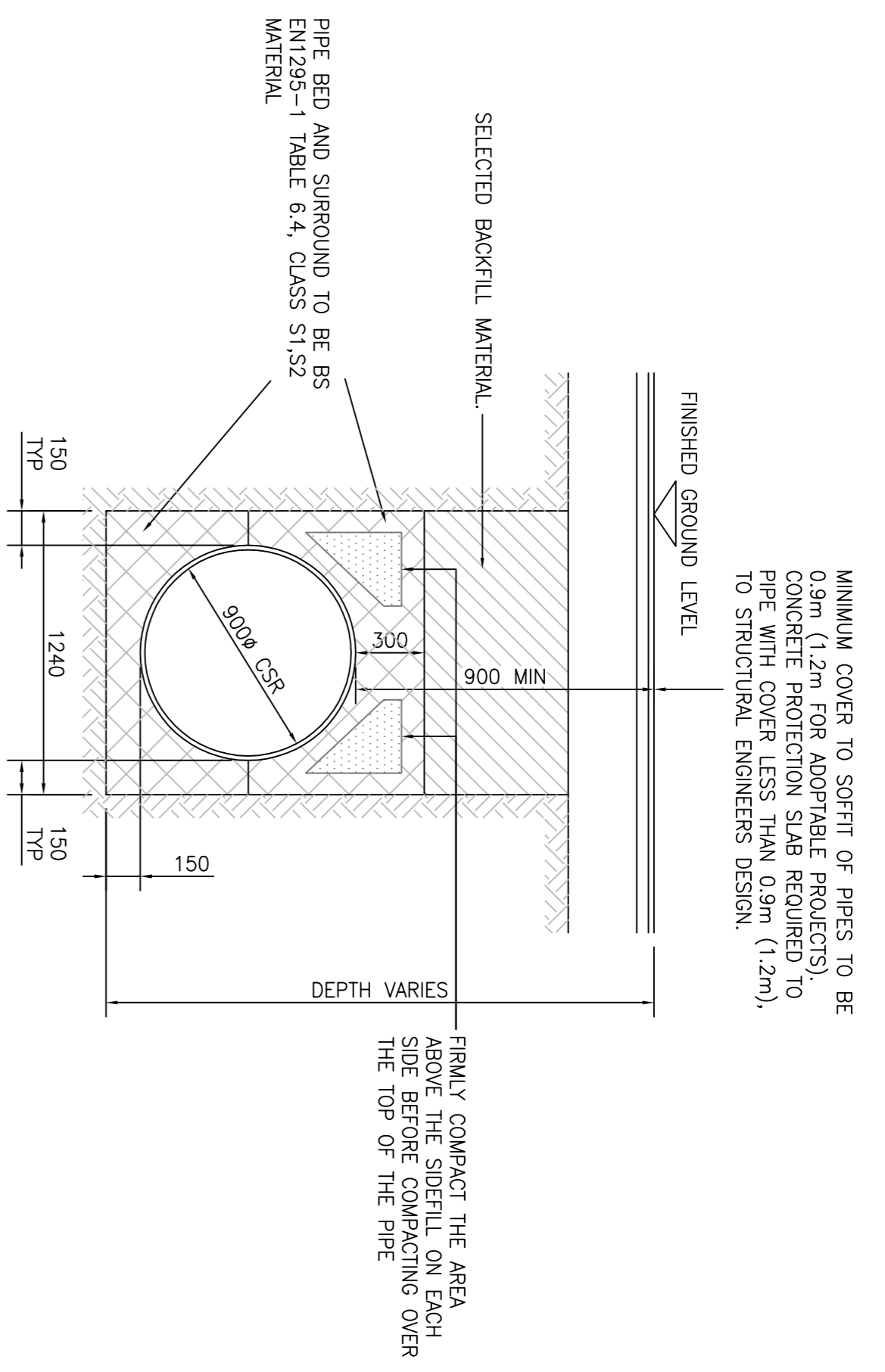


CSR	CONCRETE
NOMINAL DIAMETER	900
SOCKET OUTSIDE DIAMETER	991
PIPE OUTSIDE DIAMETER	940
EFFECTIVE LENGTH	3000
NOMINAL WEIGHT (kg)	154
	2025

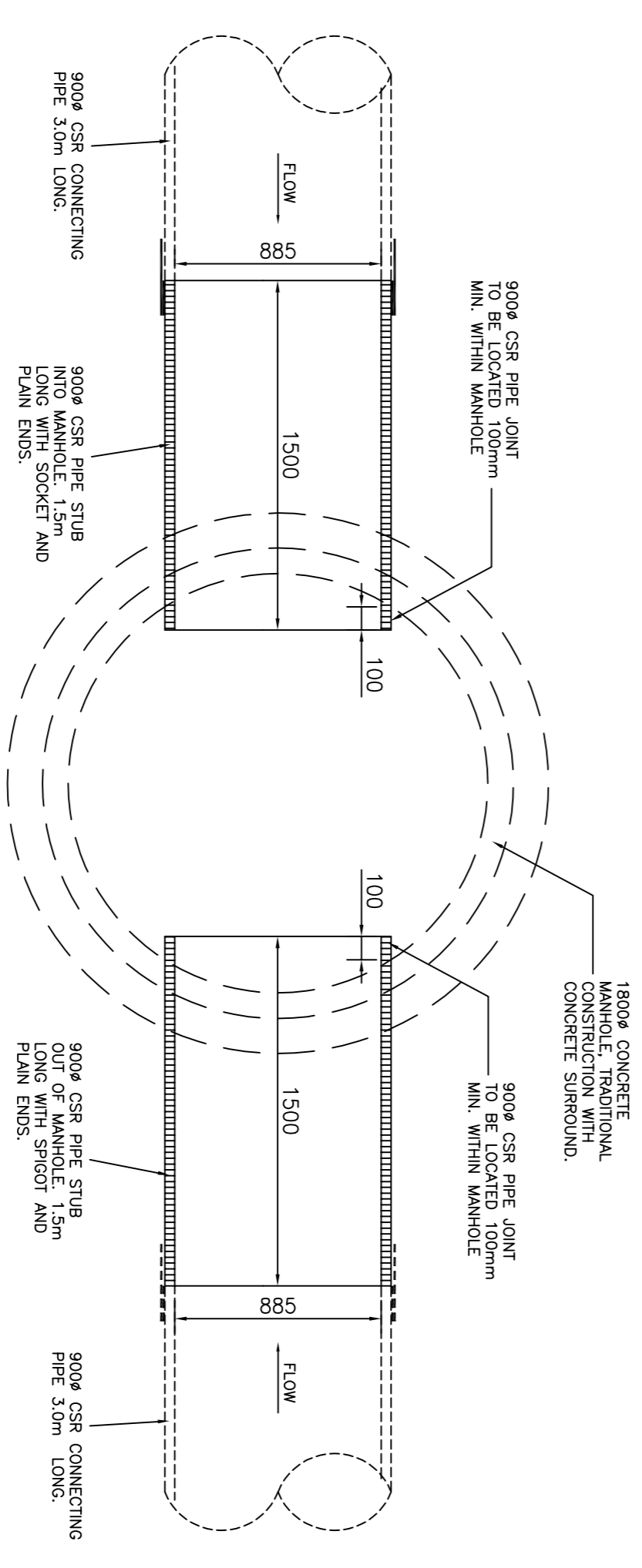
**NOTES:**  
THIS DRAWING HAS BEEN PRODUCED FOR THE PURPOSE OF OFFERING DESIGN AND LAYOUT INFORMATION TO ASSIST THE PROJECT ENGINEER WHEN ASSESSING THE SUBMITTAL OF AQUASPIRA PRODUCTS. THE INFORMATION CONTAINED IN THIS DRAWING IS APPROPRIATE TO AQUASPIRA PRODUCTS ONLY, AND ALL REFERENCES TO ASSOCIATED CONSTRUCTION DETAILS ARE OFFERED AS TYPICAL DETAILS AND DO NOT TAKE ACCOUNT OF PROJECT CONDITIONS. THE PROJECT ENGINEER/S MUST SATISFY THEMSELVES THAT THE INFORMATION PROVIDED IN THIS DRAWING IS SATISFACTORY.

**SECTION BED AND SURROUND DETAILS FOR HARD LANDSCAPED/TRAFFICKED AREAS**  
(SCALE 1/20)

BACKFILL TO BE IN ACCORDANCE WITH 'SPECIFICATION FOR HIGHWAY WORKS' VOLUME 1, TABLE 6/2



**TYPICAL DETAIL CSR PIPES INTO TRADITIONAL MANHOLE**  
(SCALE 1/25)



- NOTE:**
1. FOR DETAILS OF TRADITION MANHOLE CONSTRUCTION REFER TO SEWERS FOR ADOPTION 7TH EDITION.
  2. ALL DIMENSIONS ARE NOMINAL AND IN MILLIMETRES
  3. ALL TEMPORARY EMBLING WORKS ARE BY OTHERS
  4. MAIN ENGINEERS TO CONFIRM THE BACKFILL DETAILS ARE APPROPRIATE FOR THE SITE GROUND CONDITIONS AND LOADING CRITERIA.
  5. 20mm SINGLE SIZE BACKFILL TO BE IN ACCORDANCE WITH 'SPECIFICATION FOR HIGHWAYS WORKS' VOLUME 1, TABLE 6/2.
  6. RECLAIMED AND SITE WON MATERIAL TO BE REVIEWED AND APPROVED BY MAIN PROJECT ENGINEER PRIOR TO USE AS BACKFILL.

Client	AQUASPIRA STANDARD DETAIL
Drawing Title:	PIPE SPECIFICATION
	900Ø 3.0M

**AquaSpira**

Date	1.31.12	Scale	1/10	Drawn	JE	Checked	MS
Drawing No	P1093000						