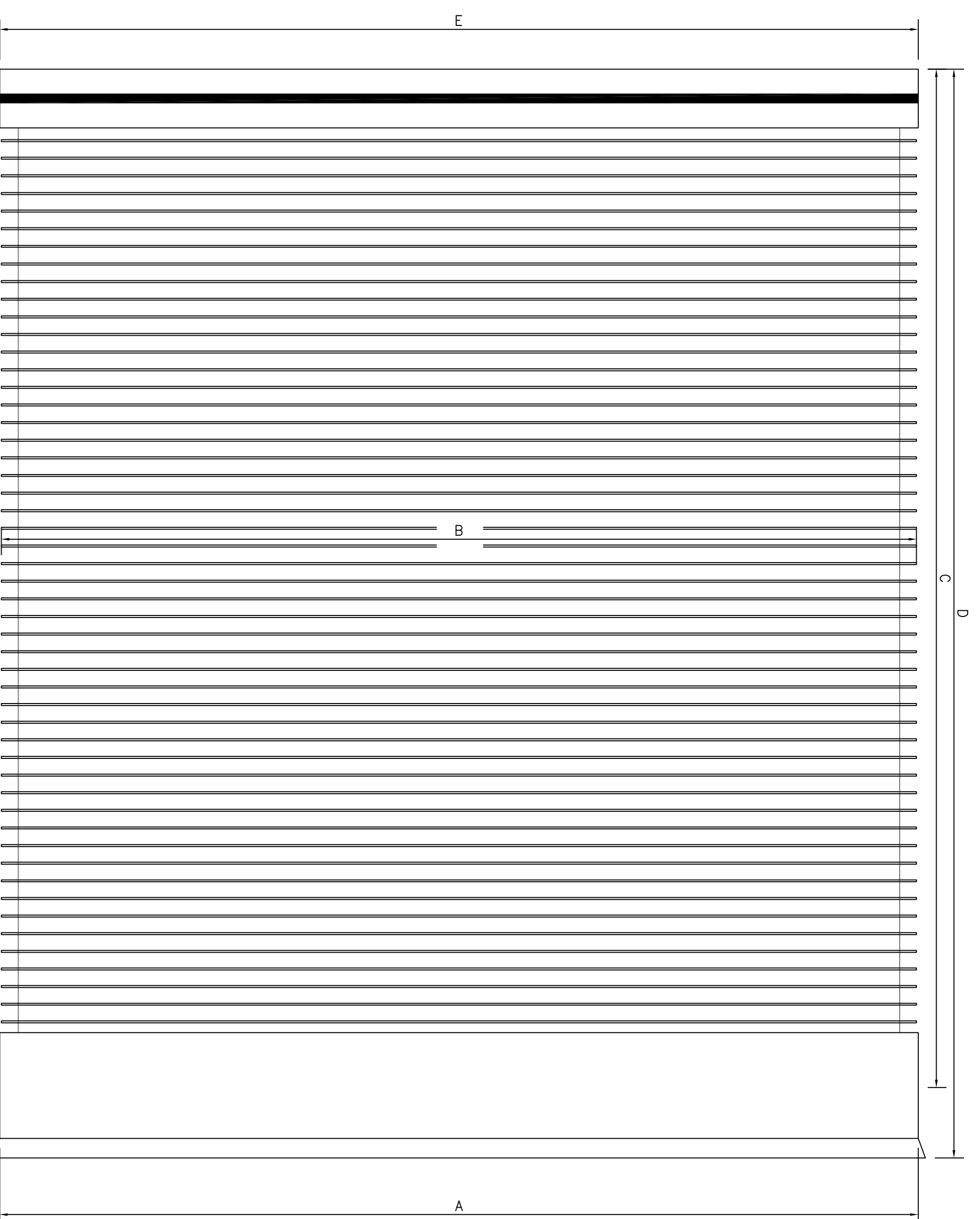
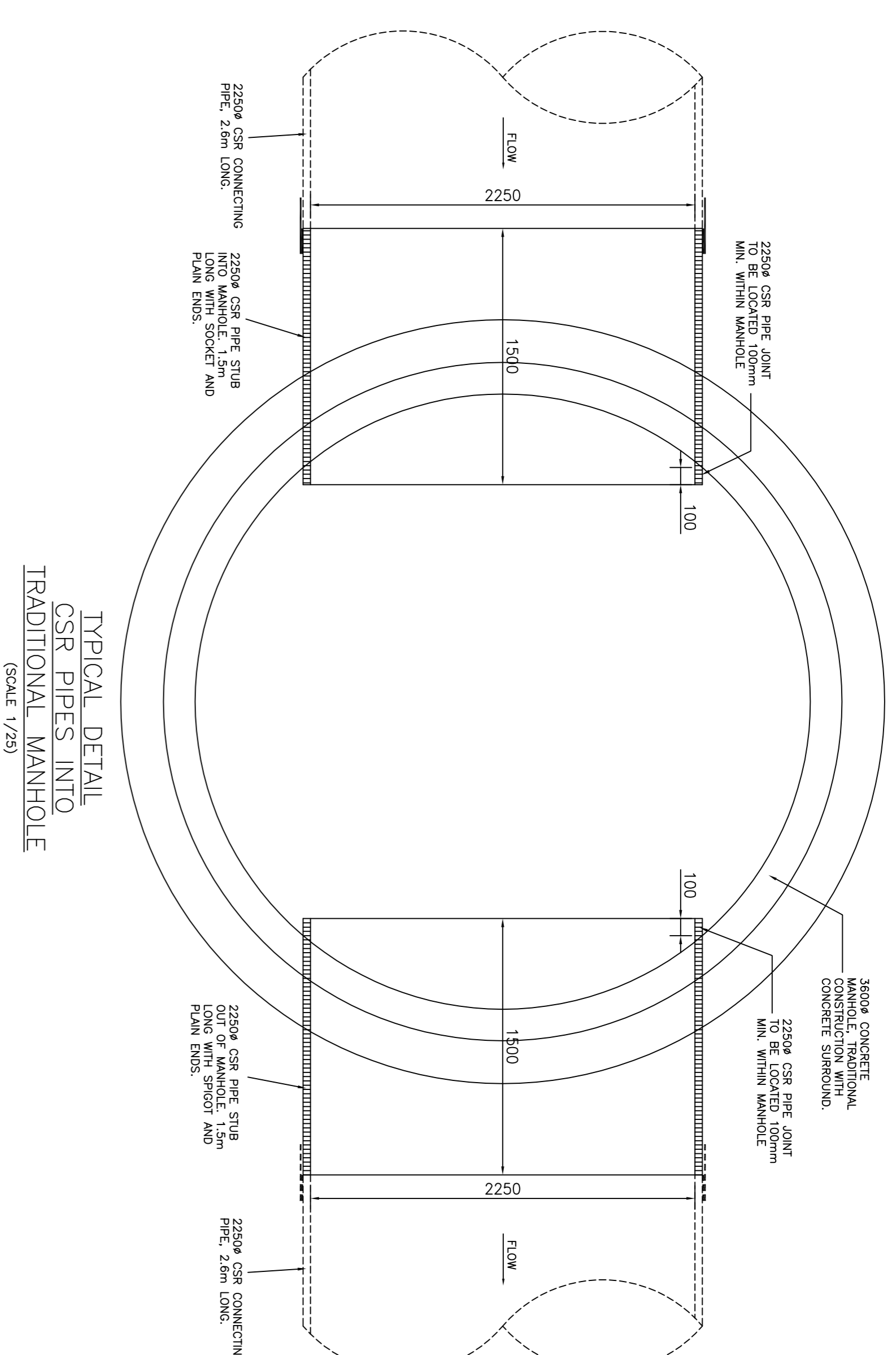


REV	DESCRIPTION	DATE	BY



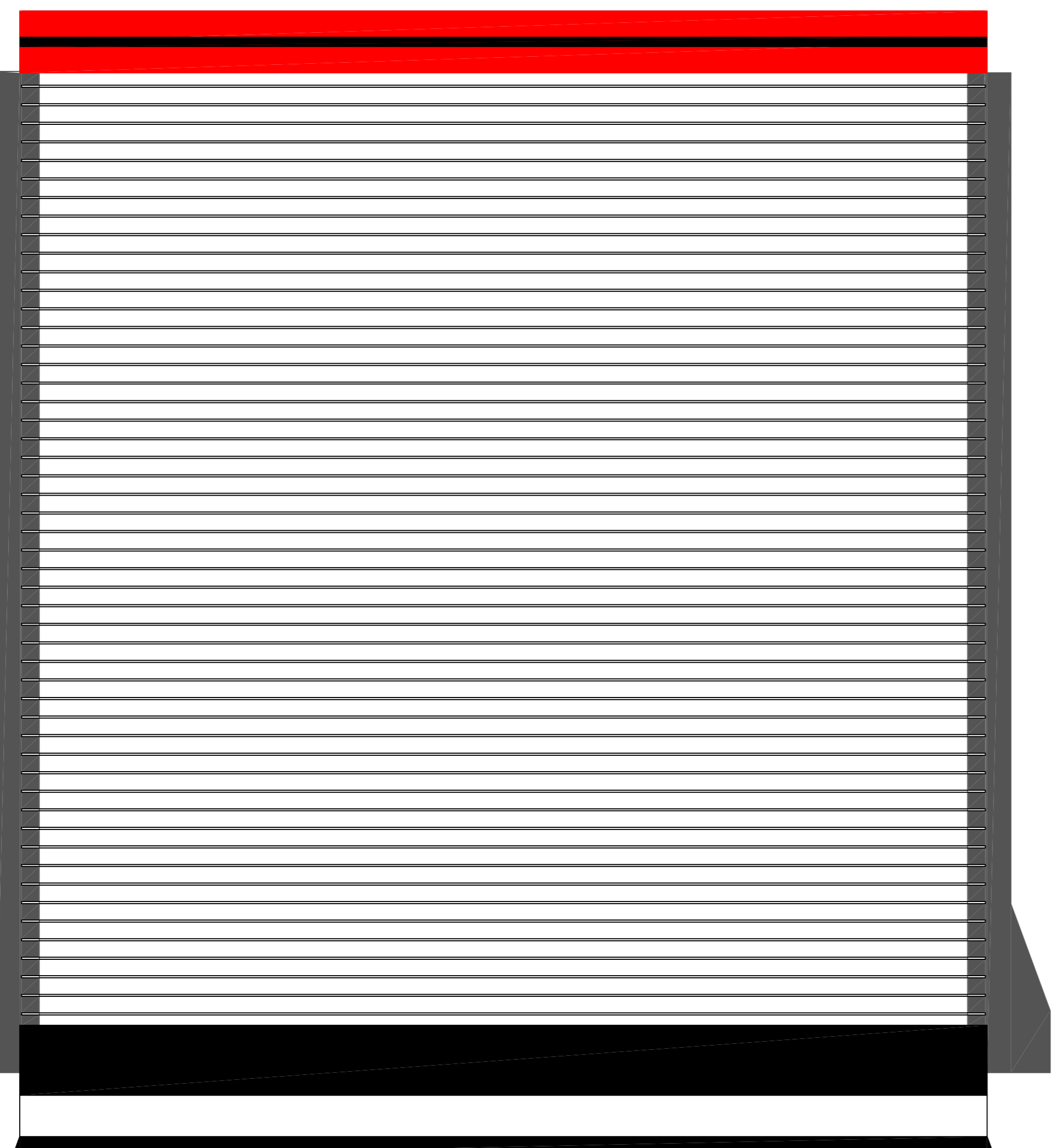
NOMINAL DIAMETER	2250
PRODUCT CODE – STANDARD	P1222600
SOCKET OUTSIDE DIAMETER – A (mm)	2381
PIPE OUTSIDE DIAMETER – B (mm)	2330
EFFECTIVE LENGTH – C (mm)	2600
OVERBALL LENGTH – D (mm)	2800
SPIGOT OUTSIDE DIAMETER – E (mm)	2346
NOMINAL WEIGHT (kg)	471
No. OF PIPES PER FULL LOAD	6
METRES PER FULL LOAD	15.6

STUBS:	
NOMINAL DIAMETER	2250
EFFECTIVE LENGTH (m)	1.50
PRODUCT CODE – PLAIN END/SPIGOT	P1221501
PRODUCT CODE – PLAIN END/SOCKET	P1221502

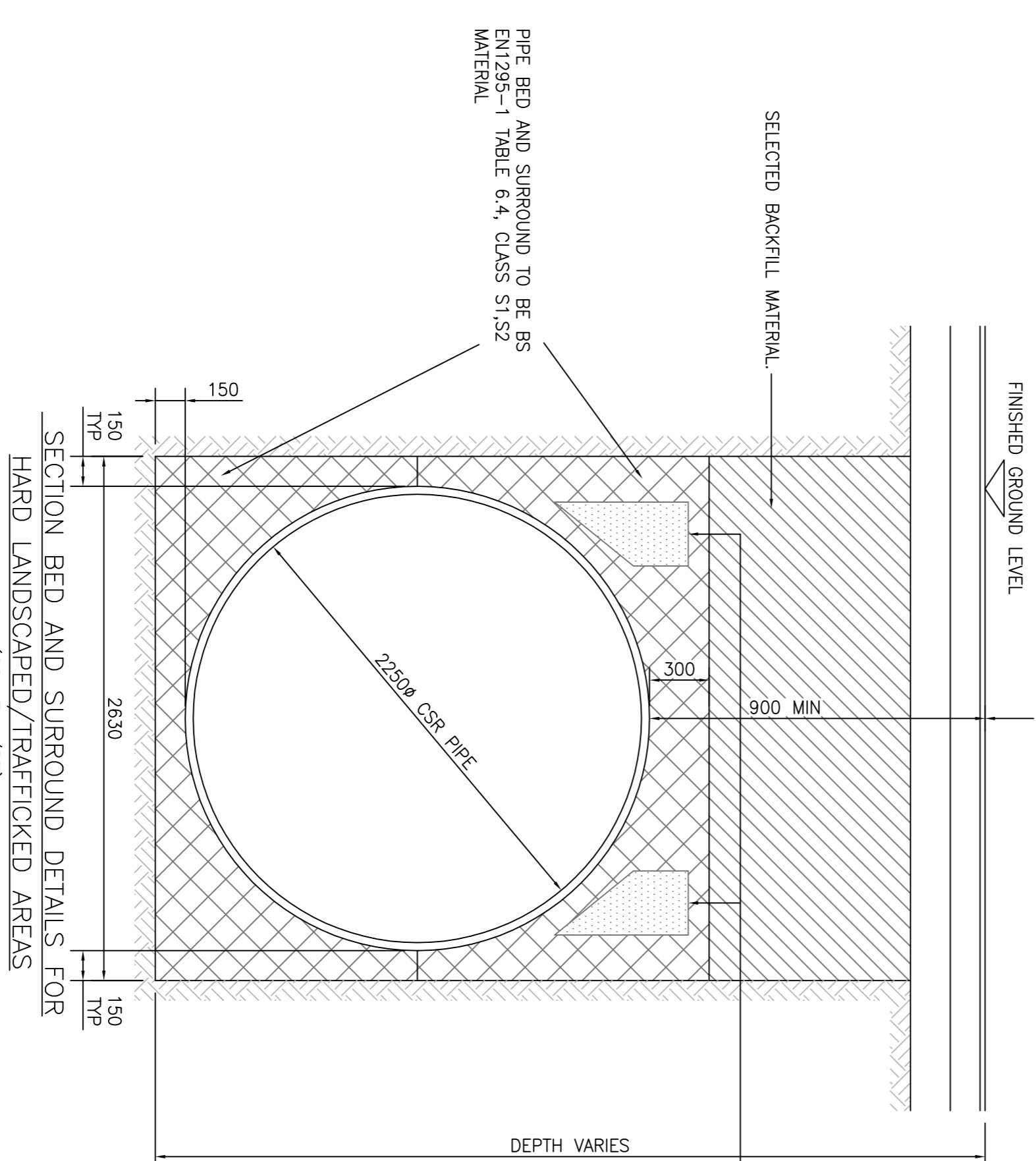


TYPICAL DETAIL
CSR PIPES INTO
TRADITIONAL MANHOLE
(SCALE 1/25)

MINIMUM COVER TO SOFFIT OF PIPES TO BE 0.9m (1.2m FOR ADAPTABLE PRODUCTS). CONCRETE PROTECTION SLAB REQUIRED TO PIPE WITH COVER LESS THAN 0.9m (1.2m), TO STRUCTURAL ENGINEERS DESIGN.



CSR	CONCRETE
NOMINAL DIAMETER	2250
SOCKET OUTSIDE DIAMETER	2381
PIPE OUTSIDE DIAMETER	2330
EFFECTIVE LENGTH	2600
NOMINAL WEIGHT (kg)	471
	10400



SECTION BED AND SURROUND DETAILS FOR
HARD LANDSCAPED/TRAFFICKED AREAS
(SCALE 1/25)

BACKFILL TO BE IN ACCORDANCE WITH 'SPECIFICATION FOR HIGHWAY WORKS VOLUME 1, TABLE 6/2

FIRMLY COMPACT THE AREA ABOVE THE SIDERTILL ON EACH SIDE BEFORE COMPACTING OVER THE TOP OF THE PIPE

- NOTE:**
- FOR DETAILS OF TRADITION MANHOLE CONSTRUCTION REFER TO SEWERS FOR ADOPTION 7TH EDITION.
 - ALL DIMENSIONS ARE NOMINAL AND IN MILLIMETRES
 - ALL DIMENSIONS ARE NOMINAL AND IN MILLIMETRES
 - PROCESSED GRANULAR MATERIALS TO INCLUDE AGGREGATES TO BS 882, AIR-COOLED BLAST FURNACE SLAG TO BS 1047 AND LIGHTWEIGHT AGGREGATES TO BS 3797.
 - ALL TEMPORARY EMBANKING WORKS ARE BY OTHERS
 - MAIN ENGINEERS TO CONFIRM THE BACKFILL DETAILS ARE APPROPRIATE FOR THE SITE GROUND CONDITIONS AND LOADING CRITERIA.
 - 20mm SINGLE SIZE BACKFILL TO BE IN ACCORDANCE WITH SPECIFICATION FOR HIGHWAYS WORKS VOLUME 1, TABLE 6/2.
 - RECLAIMED AND SITE NON MATERIAL TO BE REVIEWED AND APPROVED BY MAIN PROJECT ENGINEER PRIOR TO USE AS BACKFILL.

AquaSpira

Client
AQUASPIRA
STANDARD
DRAWING
Drawing Title
PIPE SPECIFICATION
2250ø
2.6M

Date
05.04.13
Scale
1/25
Drawn
JH
Checked
MS
Drawing No
P1222600
-

NOTES:
THIS DRAWING HAS BEEN PRODUCED FOR THE PURPOSE OF OFFERING DESIGN AND LAYOUT INFORMATION TO ASSIST THE PROJECT ENGINEER WHEN ASSESSING THE SUITABILITY OF AQUASPIRA PRODUCTS. THE INFORMATION CONTAINED IN THIS DRAWING IS APPROPRIATE TO AQUASPIRA PRODUCTS ONLY, AND ALL REFERENCES TO ASSOCIATED CONSTRUCTION DETAILS ARE OFFERED AS TYPICAL DETAILS AND DO NOT TAKE ACCOUNT OF PROJECT CONDITIONS. THE PROJECT ENGINEER/S MUST SATISFY THEMSELVES THAT THE INFORMATION PROVIDED IN THIS DRAWING IS SATISFACTORY.