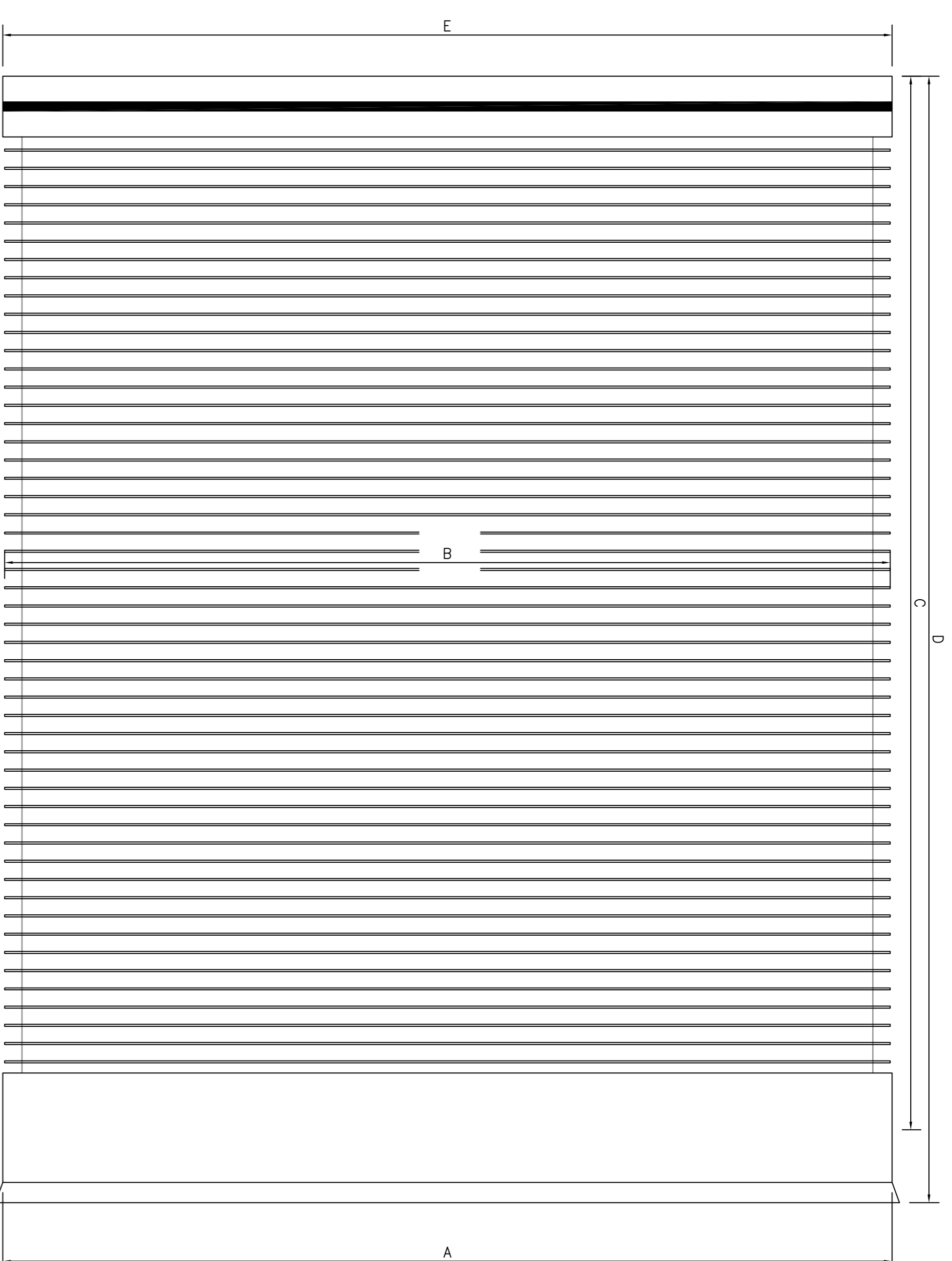
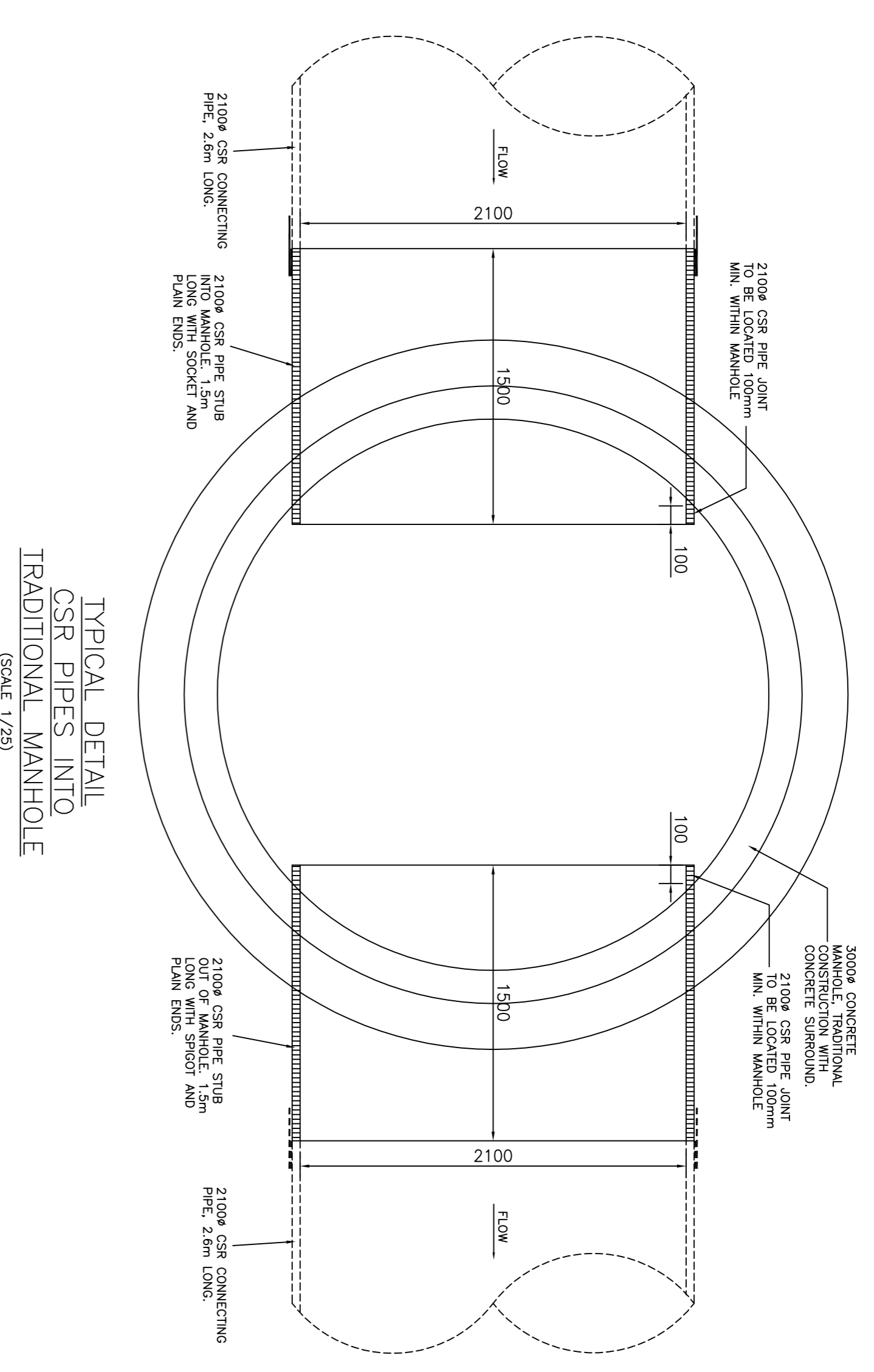


REV	DESCRIPTION	DATE	BY

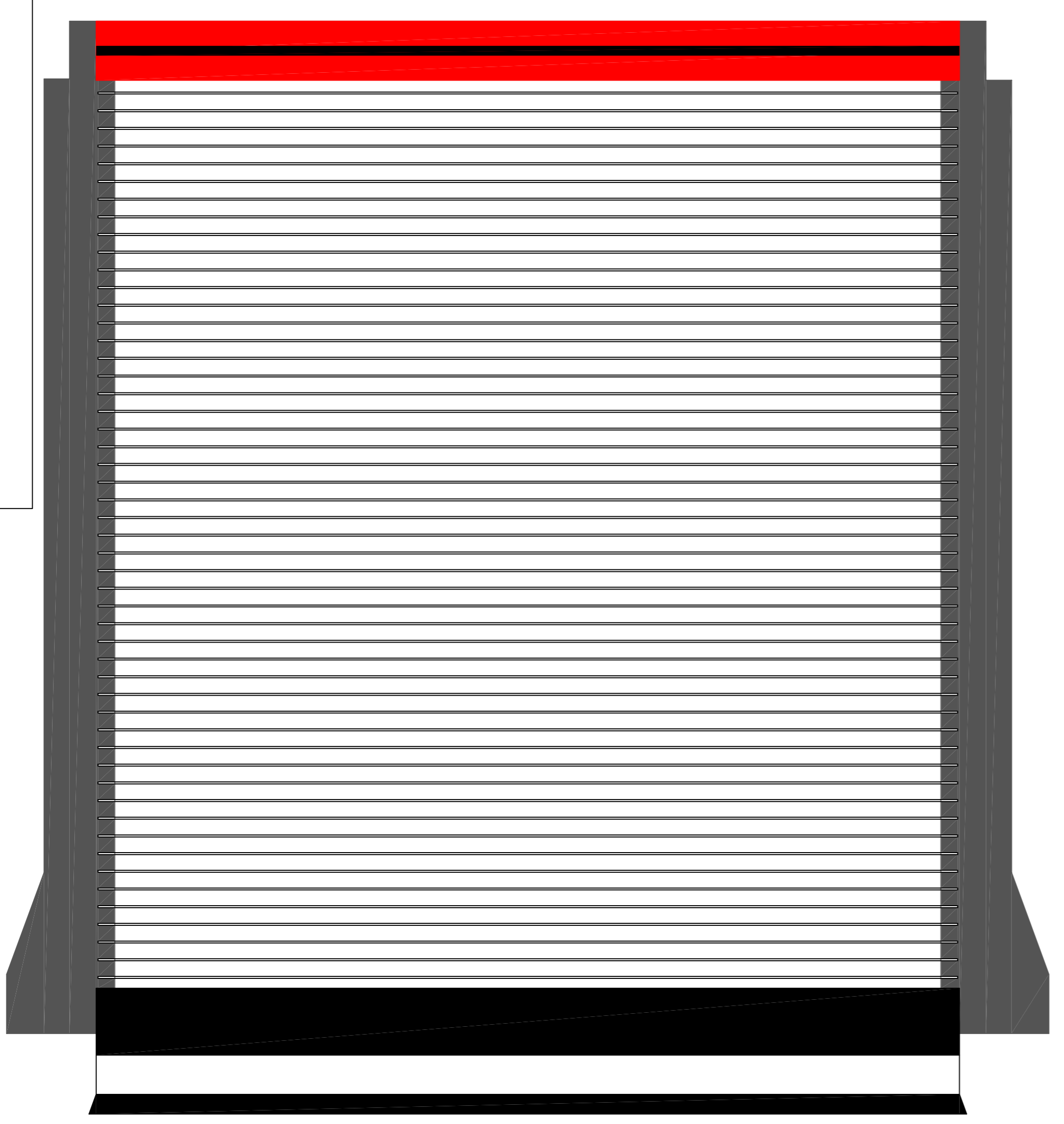


NOMINAL DIAMETER	2100
PRODUCT CODE - STANDARD	P1212600
SOCKET OUTSIDE DIAMETER - A (mm)	2231
PIPE OUTSIDE DIAMETER - B (mm)	2180
EFFECTIVE LENGTH - C (mm)	2800
OVERBALL LENGTH - D (mm)	2800
SPIGOT OUTSIDE DIAMETER - E (mm)	2196
NOMINAL WEIGHT (kg)	471
No. OF PIPES PER FULL LOAD	6
METRES PER FULL LOAD	15.6

STUBS:	
NOMINAL DIAMETER	2100
EFFECTIVE LENGTH (m)	1.50
PRODUCT CODE - PLAIN END/SPIGOT	P1211501
PRODUCT CODE - PLAIN END/SOCKET	P1211502

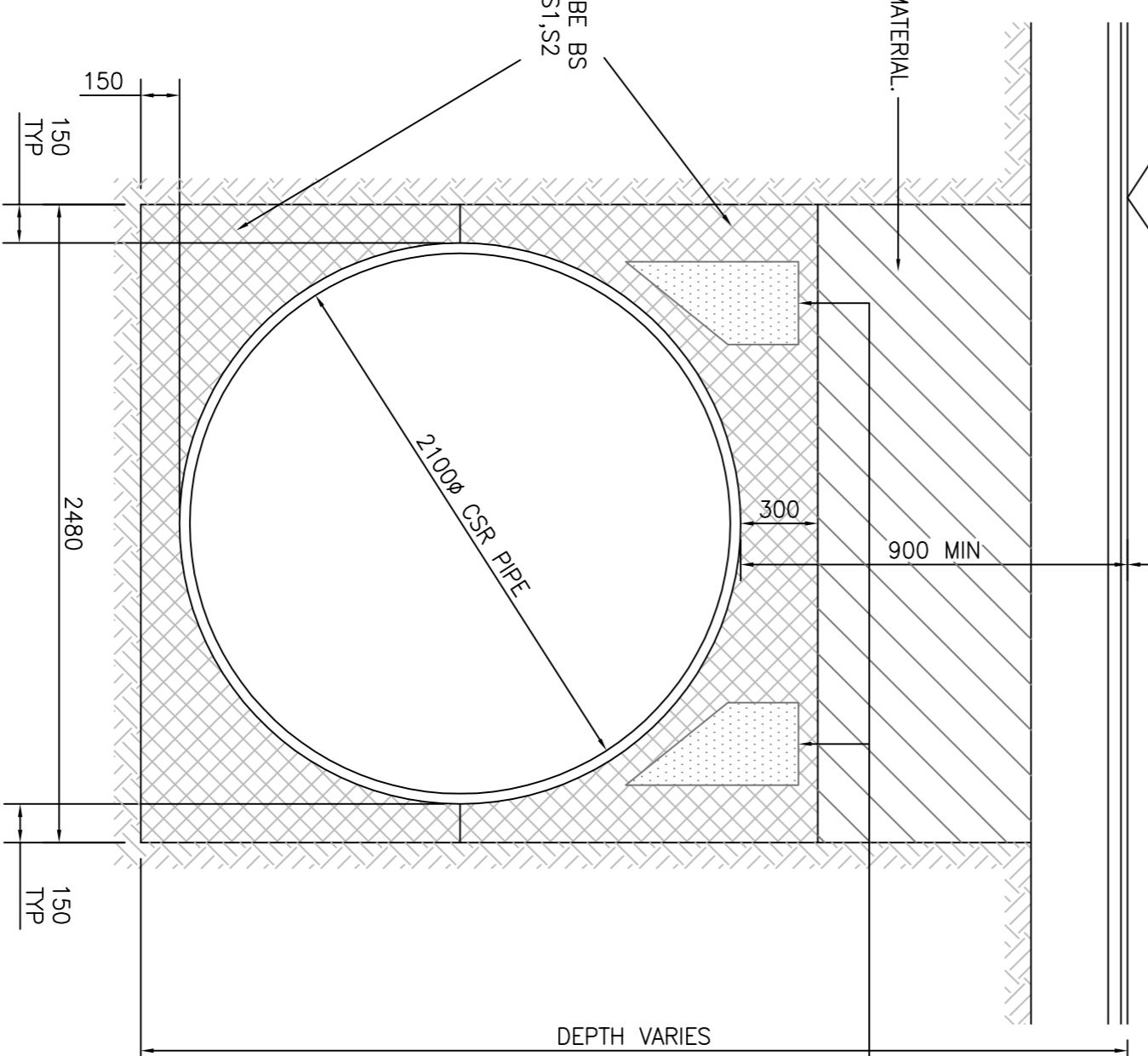


TYPICAL DETAIL
CSR PIPES INTO
TRADITIONAL MANHOLE
(SCALE 1/25)



NOMINAL DIAMETER	CSR	CONCRETE
SOCKET OUTSIDE DIAMETER	2231	2000
PIPE OUTSIDE DIAMETER	2180	2460
EFFECTIVE LENGTH	2800	2400
NOMINAL WEIGHT (kg)	417	8700

MINIMUM COVER TO SOFFIT OF PIPES TO BE 0.9m (1.2m FOR ADAPTABLE PROJECTS), CONCRETE PROTECTION SLAB REQUIRED TO PIPE WITH COVER LESS THAN 0.9m (1.2m), TO STRUCTURAL ENGINEERS DESIGN.



SECTION BED AND SURROUND DETAILS FOR
HARD LANDSCAPED/TRAFFICKED AREAS
(SCALE 1/25)

BACKFILL TO BE IN ACCORDANCE WITH 'SPECIFICATION FOR HIGHWAY WORKS' VOLUME 1, TABLE 6/2

FIRMLY COMPACT THE AREA ABOVE THE SIDEFILL ON EACH SIDE BEFORE COMPACTING OVER THE TOP OF THE PIPE

- NOTE:
- FOR DETAILS OF TRADITION MANHOLE CONSTRUCTION REFER TO SEWERS FOR ADOPTION 7TH EDITION.
 - ALL DIMENSIONS ARE NOMINAL AND IN MILLIMETRES
 - ALL DIMENSIONS ARE NOMINAL AND IN MILLIMETRES
 - PROCESSED GRANULAR MATERIALS TO INCLUDE AGGREGATES TO BS 882, AIR-COOLED BLAST FURNACE SLAG TO BS 1047 AND LIGHTWEIGHT AGGREGATES TO BS 5797.
 - ALL TEMPORARY EMBANKING WORKS ARE BY OTHERS
 - MAIN ENGINEERS TO CONFIRM THE BACKFILL DETAILS ARE APPROPRIATE FOR THE SITE GROUND CONDITIONS AND LOADING CRITERIA.
 - 20mm SINGLE SIZE BACKFILL TO BE IN ACCORDANCE WITH 'SPECIFICATION FOR HIGHWAYS WORKS' VOLUME 1, TABLE 6/2.
 - RECLAIMED AND SITE WON MATERIAL TO BE REVIEWED AND APPROVED BY MAIN PROJECT ENGINEER PRIOR TO USE AS BACKFILL.

NOTES:
THIS DRAWING HAS BEEN PRODUCED FOR THE PURPOSE OF OFFERING DESIGN AND LAYOUT INFORMATION TO ASSIST THE PROJECT ENGINEER WHEN ASSESSING THE SUITABILITY OF AQUASPIRA PRODUCTS. THE INFORMATION CONTAINED IN THIS DRAWING IS APPROPRIATE TO AQUASPIRA PRODUCTS ONLY, AND ALL REFERENCES TO ASSOCIATED CONSTRUCTION DETAILS ARE OFFERED AS TYPICAL DETAILS AND DO NOT TAKE ACCOUNT OF PRODUCT CONDITIONS. THE PROJECT ENGINEER/S MUST SATISFY THEMSELVES THAT THE INFORMATION PROVIDED IN THIS DRAWING IS SATISFACTORY.

Client	AQUASPIRA STANDARD DETAIL
Drawing Title:	PIPE SPECIFICATION 2100Ø 2.6m

Date	22.05.13	Scale	1/25	Drawn	JE	Checked	MS
Drawing No	P1212600						

