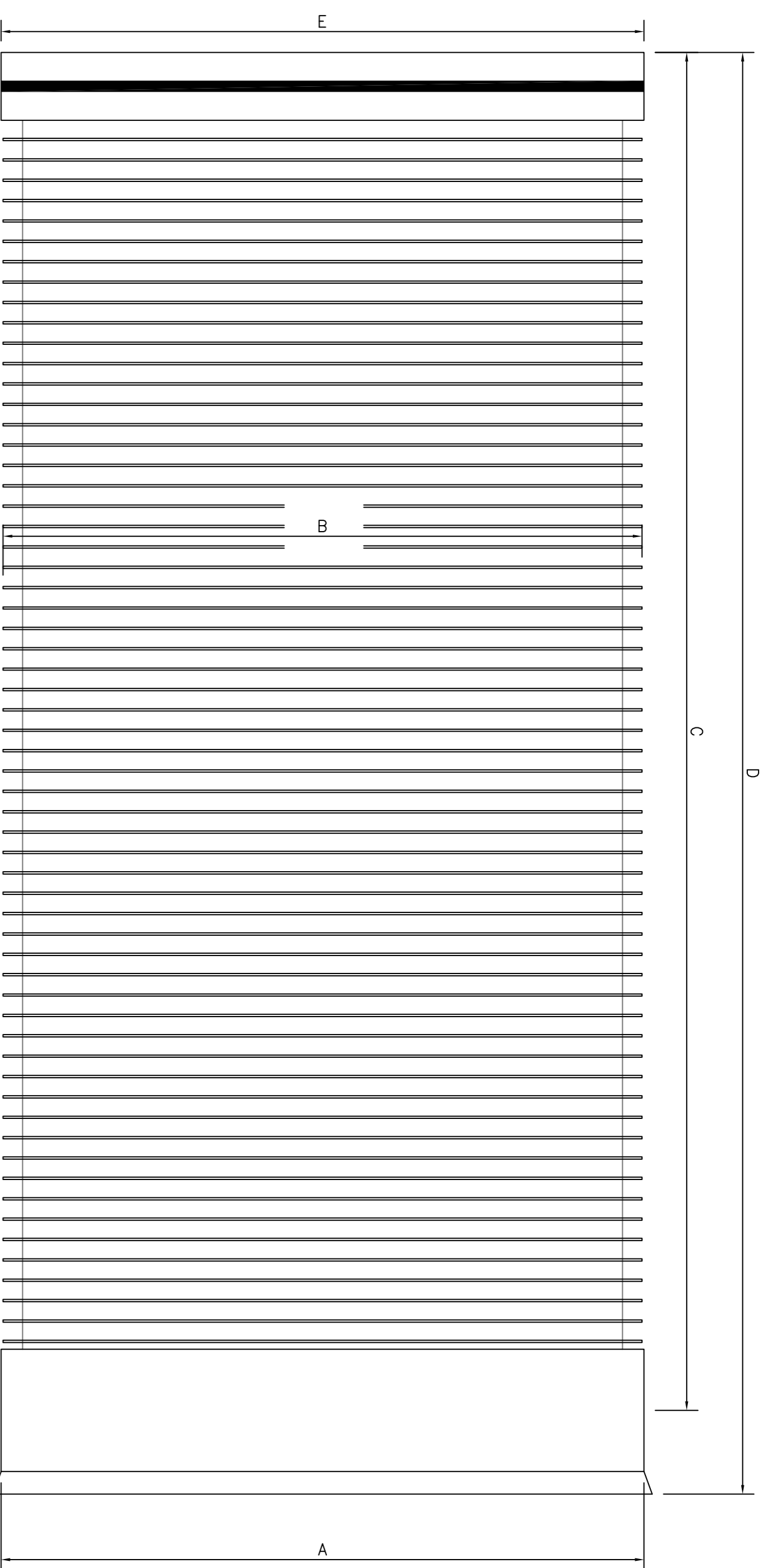


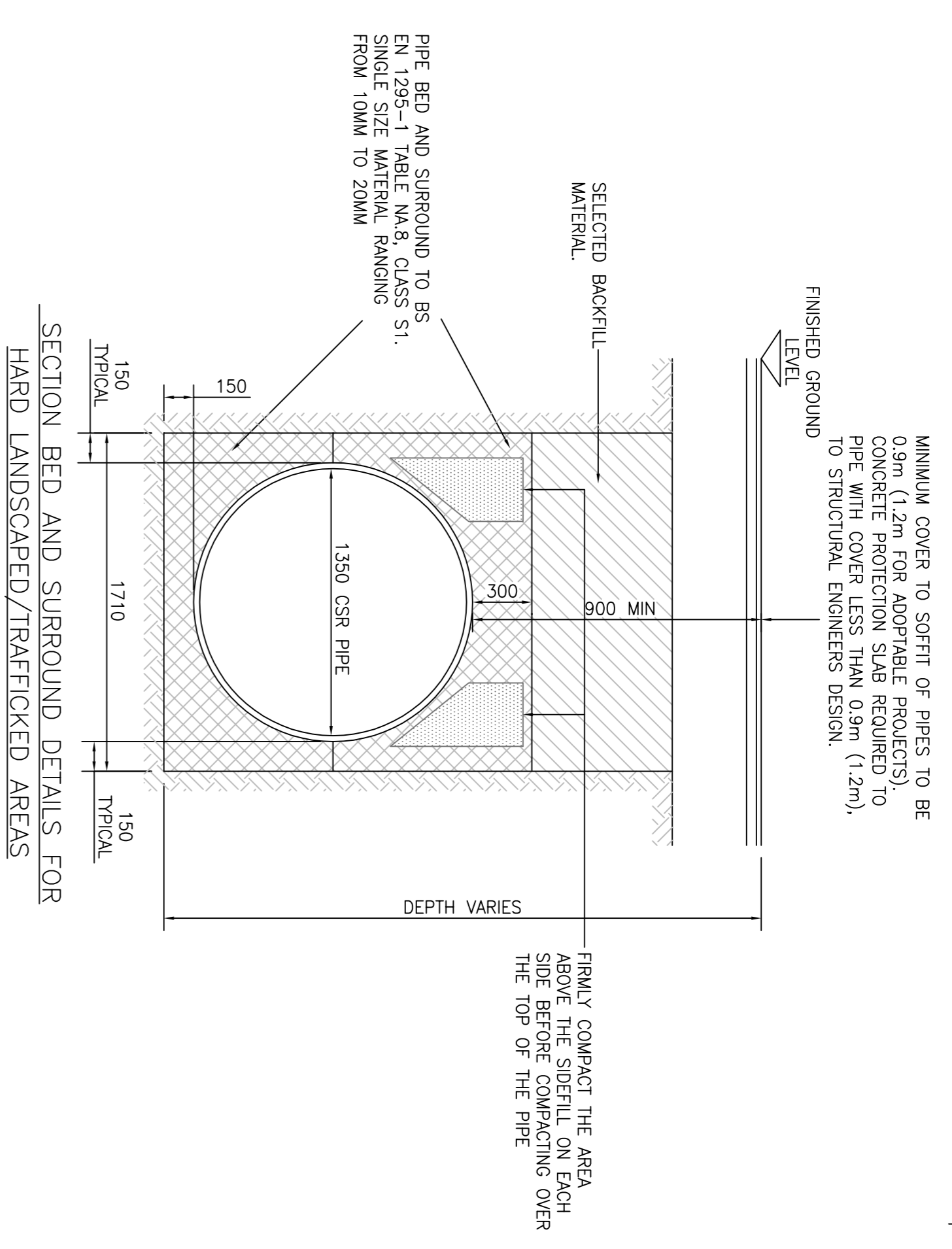
DO NOT SCALE

REV DESCRIPTION DATE BY



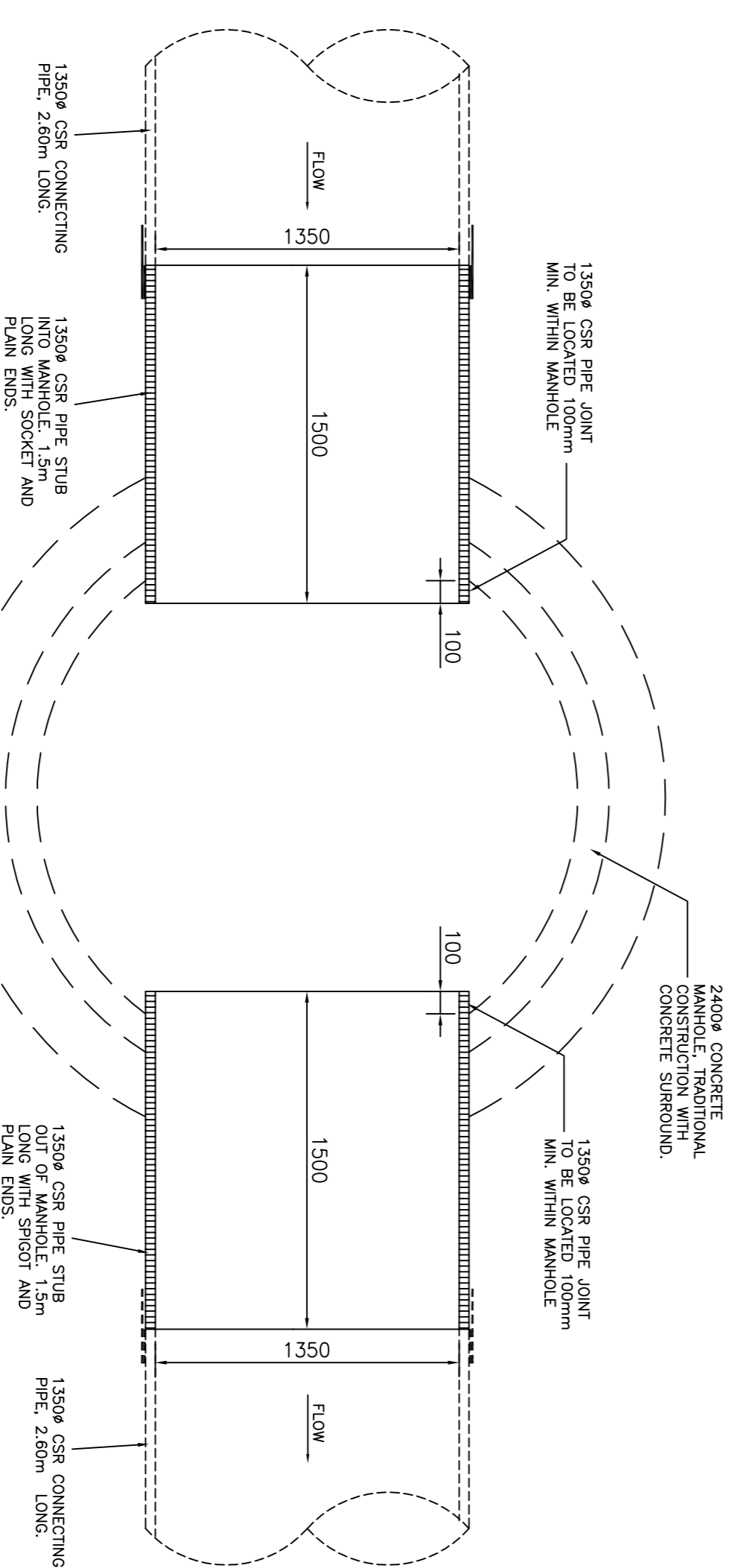
PIPES:	
NOMINAL DIAMETER	1350
PRODUCT CODE	P1133000
SOCKET OUTSIDE DIAMETER – A (mm)	1461
PIPE OUTSIDE DIAMETER – B (mm)	1410
EFFECTIVE LENGTH – C (mm)	3000
OVERALL LENGTH – D (mm)	3185
SPIGOT OUTSIDE DIAMETER – E (mm)	1426
NOMINAL WEIGHT (kg)	240
No. OF PIPES PER FULL LOAD	16
METRES PER FULL LOAD	48

STUBS:	
NOMINAL DIAMETER	1350
EFFECTIVE LENGTH (m)	1.50
PRODUCT CODE – PLAIN END/SPIGOT	P1131501
PRODUCT CODE – PLAIN END/SOCKET	P1131502



	CSR	CONCRETE
NOMINAL DIAMETER	1350	1400
SOCKET OUTSIDE DIAMETER	1461	1740
PIPE OUTSIDE DIAMETER	1410	1680
EFFECTIVE LENGTH	3000	2500
NOMINAL WEIGHT (kg)	240	4550

TYPICAL DETAIL  
CSR PIPES INTO  
TRADITIONAL MANHOLE  
(SCALE 1/25)




- NOTE:
- FOR DETAILS OF TRADITION MANHOLE CONSTRUCTION REFER TO SEWERS FOR ADOPTION 7TH EDITION.
  - ALL DIMENSIONS ARE NOMINAL AND IN MILLIMETRES
  - ALL TEMPORARY EMBLING WORKS ARE BY OTHERS
  - MAIN ENGINEERS TO CONFIRM THE BACKFILL DETAILS ARE APPROPRIATE FOR THE SITE GROUND CONDITIONS AND LOADING CRITERIA
  - 20mm SINGLE SIZE BACKFILL TO BE IN ACCORDANCE WITH 'SPECIFICATION FOR HIGHWAYS WORKS' VOLUME 1, TABLE 6/2.
  - RECLAIMED AND SITE WON MATERIAL TO BE REVIEWED AND APPROVED BY MAIN PROJECT ENGINEER PRIOR TO USE AS BACKFILL.

NOTES:

THIS DRAWING HAS BEEN PRODUCED FOR THE PURPOSE OF OFFERING DESIGN AND LAYOUT INFORMATION TO ASSIST THE PROJECT ENGINEER WHEN ASSESSING THE SUITABILITY OF AQUASPIRA PRODUCTS. THE INFORMATION CONTAINED IN THIS DRAWING IS APPROPRIATE TO AQUASPIRA PRODUCTS ONLY, AND ALL REFERENCES TO ASSOCIATED CONSTRUCTION DETAILS ARE OFFERED AS TYPICAL DETAILS AND DO NOT TAKE ACCOUNT OF PROJECT CONDITIONS. THE PROJECT ENGINEER/S MUST SATISFY THEMSELVES THAT THE INFORMATION PROVIDED IN THIS DRAWING IS SATISFACTORY.

Client  
AQUASPIRA  
STANDARD  
DETAIL  
Drawing Title:  
PIPE SPECIFICATION  
1350Ø  
3.0M

  
Date 03.02.14 Scale 1/10 Drawn JH Checked MS  
Drawing No P1133000