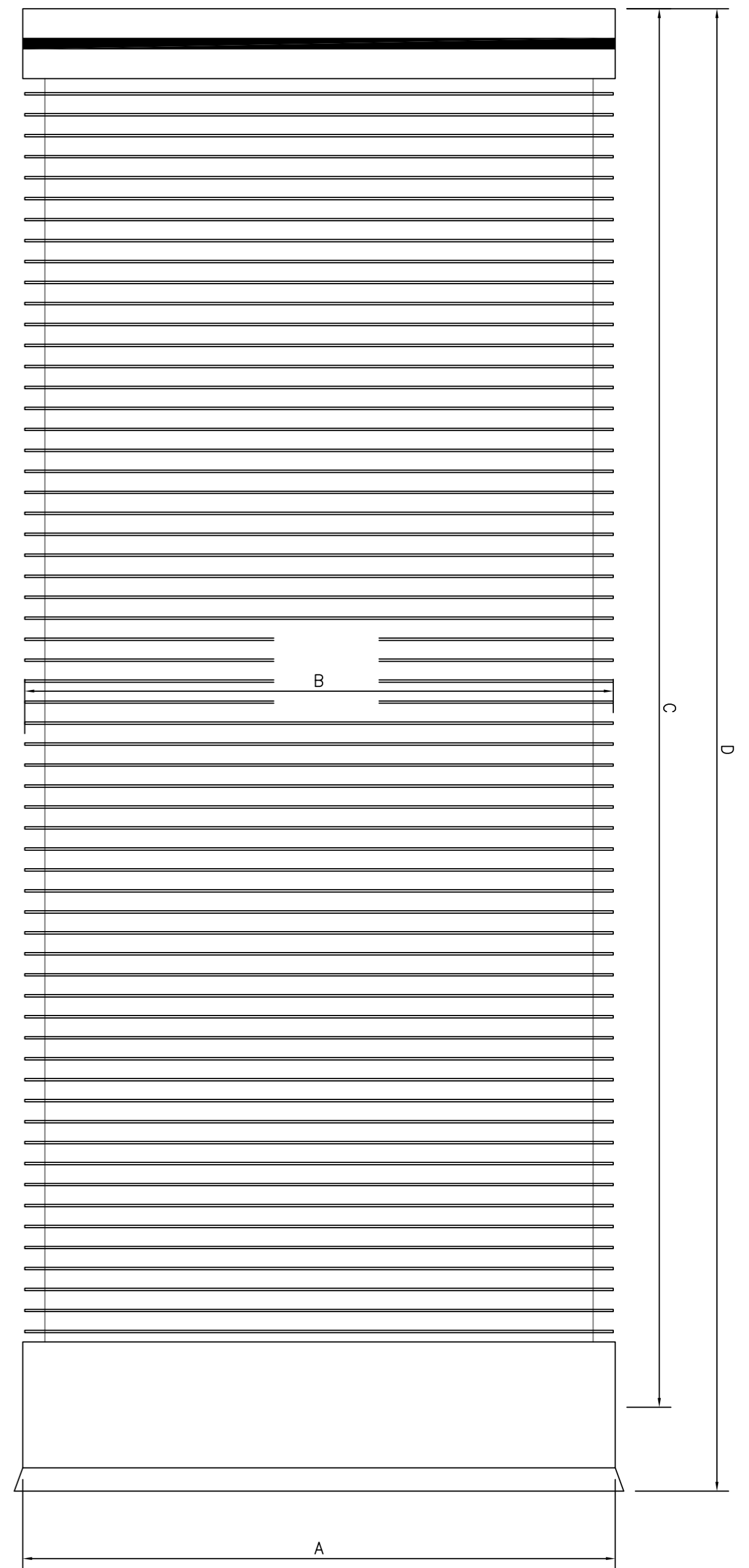
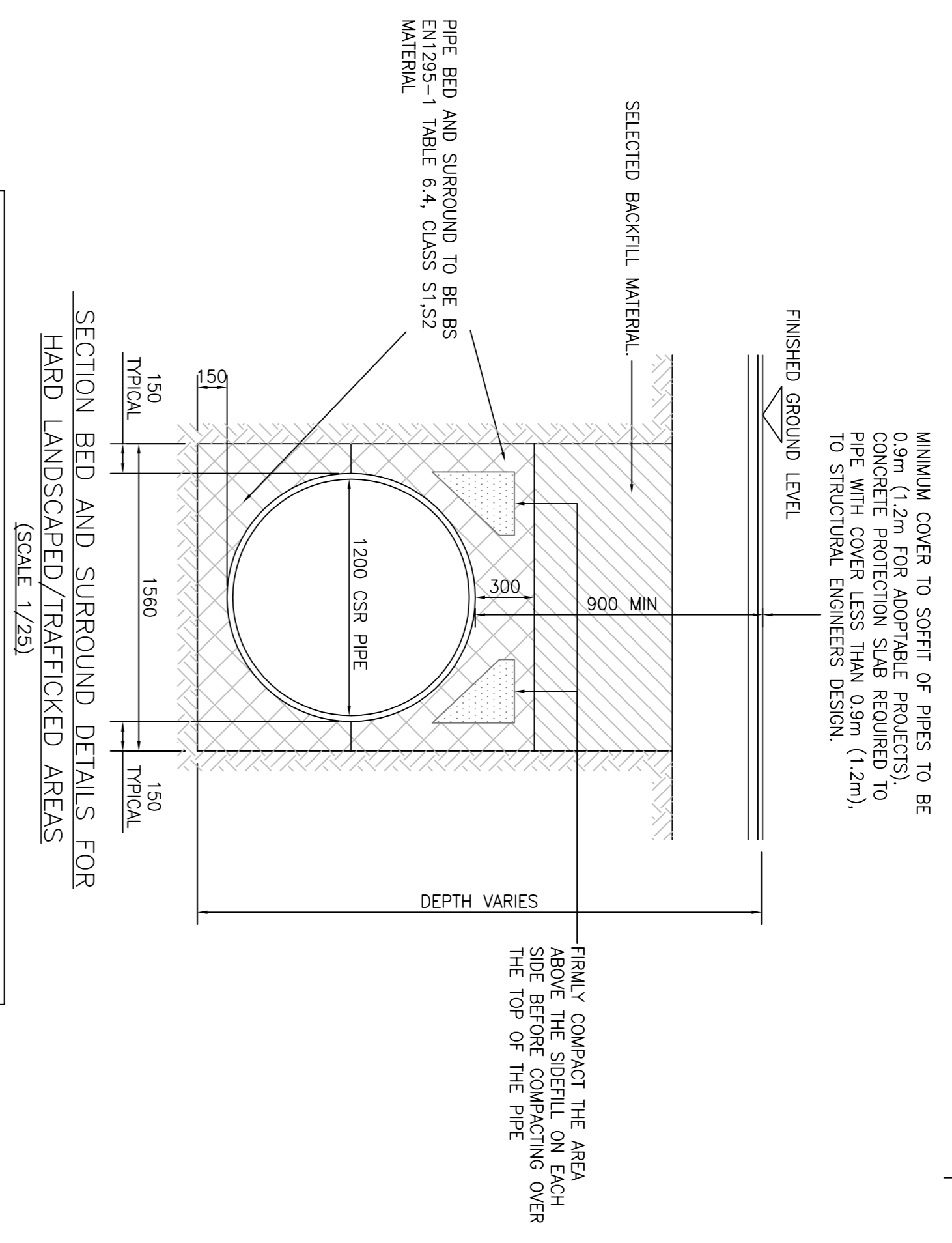


| REV | DESCRIPTION | DATE | BY |
|-----|-------------|------|----|
| | | | |



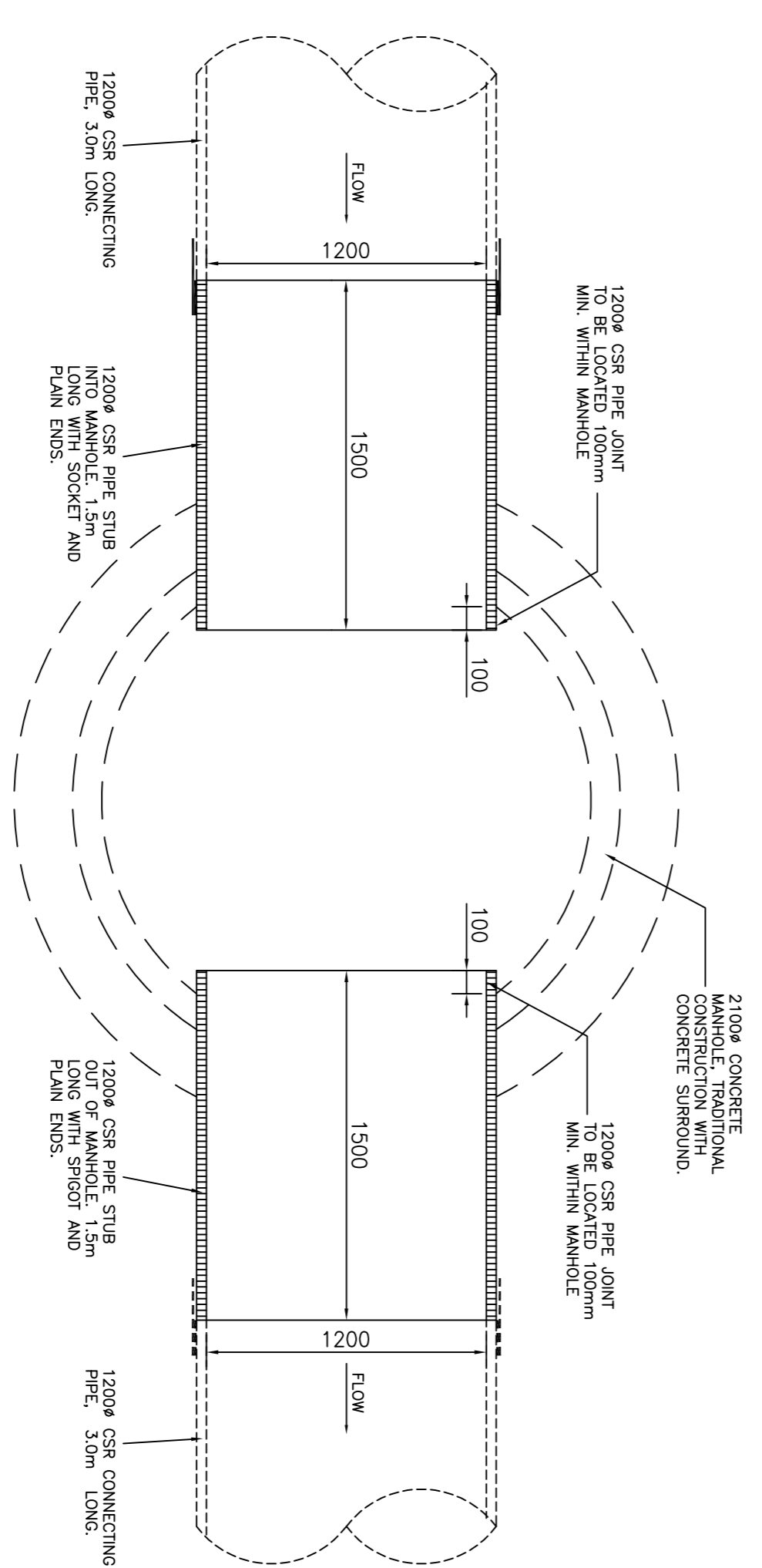
| PIPES: | | STUBS: | |
|----------------------------------|----------|---------------------------------|----------|
| NOMINAL DIAMETER | 1200 | NOMINAL DIAMETER | 1200 |
| PRODUCT CODE | P1123000 | EFFECTIVE LENGTH (m) | 1.50 |
| SOCKET OUTSIDE DIAMETER – A (mm) | 1311 | PRODUCT CODE – PLAIN END/SPIGOT | P1121501 |
| PIPE OUTSIDE DIAMETER – B (mm) | 1260 | PRODUCT CODE – PLAIN END/SOCKET | P1121502 |
| EFFECTIVE LENGTH – C (mm) | 3000 | | |
| OVERALL LENGTH – D (mm) | 3200 | | |
| SPIGOT OUTSIDE DIAMETER – E (mm) | 1276 | | |
| NOMINAL WEIGHT (kg) | 209 | | |
| No. OF PIPES PER FULL LOAD | 16 | | |
| METRES PER FULL LOAD | 48 | | |



BACKFILL TO BE IN ACCORDANCE WITH 'SPECIFICATION FOR HIGHWAY WORKS' VOLUME 1, TABLE 6/2



| CSR | CONCRETE |
|-------------------------|----------|
| NOMINAL DIAMETER | 1200 |
| SOCKET OUTSIDE DIAMETER | 1311 |
| PIPE OUTSIDE DIAMETER | 1261 |
| EFFECTIVE LENGTH | 3000 |
| NOMINAL WEIGHT (kg) | 209 |



TYPICAL DETAIL
CSR PIPES INTO
TRADITIONAL MANHOLE
(SCALE 1/25)

- NOTE:**
- FOR DETAILS OF TRADITION MANHOLE CONSTRUCTION REFER TO SEWERS FOR ADOPTION 7TH EDITION.
 - ALL DIMENSIONS ARE NOMINAL AND IN MILLIMETRES
 - CONCRETE DIMENSIONS TAKE FROM F.P MCCANN WEBSITE FOR A 1050mm STANDARD PIPE.
- PIPE BEDDING NOTES:**
- ALL DIMENSIONS ARE NOMINAL AND IN MILLIMETRES
 - PROCESSED GRANULAR MATERIALS TO INCLUDE AGGREGATES TO BS 882, AIR-COOLED BLAST FURNACE SLAG TO BS 1047 AND LIGHTWEIGHT AGGREGATES TO BS 3797.
 - ALL TEMPORARY EMBLING WORKS ARE BY OTHERS
 - MAN ENGINEERS TO CONFIRM THE BACKFILL DETAILS ARE APPROPRIATE FOR THE SITE GROUND CONDITIONS AND LOADING CRITERIA.
 - 20mm SINGLE SIZE BACKFILL TO BE IN ACCORDANCE WITH 'SPECIFICATION FOR HIGHWAYS WORKS' VOLUME 1, TABLE 6/2.
 - RECLAIMED AND SITE WON MATERIAL TO BE REVIEWED AND APPROVED BY MAIN PROJECT ENGINEER PRIOR TO USE AS BACKFILL.

NOTES:
THIS DRAWING HAS BEEN PRODUCED FOR THE PURPOSE OF OFFERING DESIGN AND LAYOUT INFORMATION TO ASSIST THE PROJECT ENGINEER WHEN ASSESSING THE SUBMITTAL OF AQUASPIRA PRODUCTS. THE INFORMATION CONTAINED IN THIS DRAWING IS APPROPRIATE TO AQUASPIRA PRODUCTS ONLY, AND ALL REFERENCES TO ASSOCIATED CONSTRUCTION DETAILS ARE OFFERED AS TYPICAL DETAILS AND DO NOT TAKE ACCOUNT OF PROJECT CONDITIONS. THE PROJECT ENGINEER/S MUST SATISFY THEMSELVES THAT THE INFORMATION PROVIDED IN THIS DRAWING IS SATISFACTORY.

| | |
|----------------|----------------------------------|
| Client | AQUASPIRA STANDARD DETAILS |
| Drawing Title: | PIPE SPECIFICATION |
| | 1200Ø 3.0M |

| | | | | | | | |
|------------|----------|-------|------|-------|----|---------|----|
| Date | 12.11.12 | Scale | 1/10 | Drawn | JE | Checked | MS |
| Drawing No | P1123000 | | | | | | |

